

EM203D

Weight Indicator and controller



EM203D industrial-grade digital weight indicator and controller with 10inch TFT color touch screen, intuitive icons and graphics indications and marked shortcut keys of operations, comprehensive ports, available records of sets of truck licence numbers and weighing data.

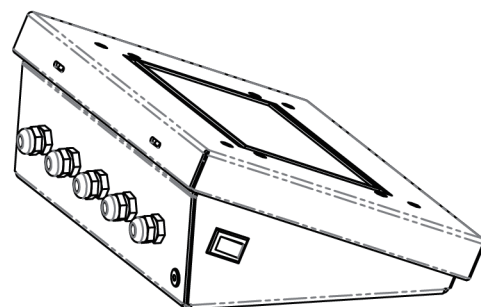
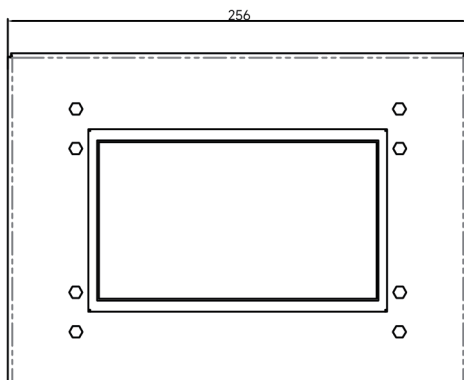
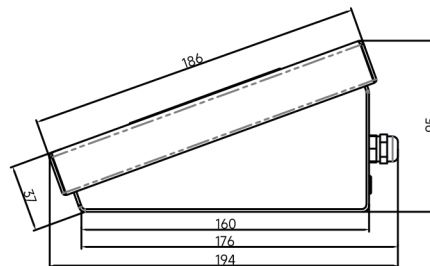
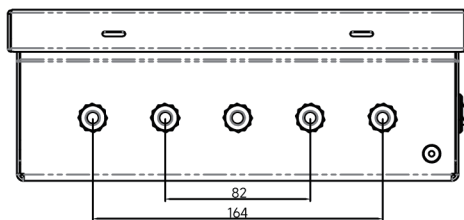
Key features

- Large screen display**
 - 10 " full color touch screen
 - Certification accuracy: 6000e
- Menu configuration**
 - English, Chinese available
 - Touch screen operation
- Physical design**
 - Large stainless steel dustproof enclosure, desk-sit for easy operation
- Digital load cells**
 - support multiple digital load cells via CAN ports
- Ports**
 - Standard isolated RS232, RS485, CAN, Ethernet
 - Standard digital I/O, 2-channel inputs and 4-channel outputs.
- Flexible application**
 - Basic weighing, truck scale(weighbridge), hopper scales, silo scales, vessel scales, etc.



Dimensions

Unit: mm



Specifications

Model No.	EM203D
Voltage	100-240VAC/49-60HZ
Operation temp. (°C)	-20 ~ +60
Display screen	10 inch color screen
Max. number of verified divisions (e)	6000
Max. number of display resolutions (d)	100000
Number of digital load cells	Max. 10pcs
Interface to digital load cell	CAN
Communication protocol	CANOpen
Encryption for digital load cell	Available
Accuracy class	III
Keypad	Touch screen+power supply key
Communications	Instruction output; serial output; printing; Modbus-RTU, Modbus-TCP
Addressing load cells	Automatic, manually available
Calibration mode	weight calibration; remote calibration; free calibration
Corner error correcting	Adjust via weights, self-adapting via software
Digital load cell information	Checking and diagnosis available
Capacity range	1-500,000kg (Default 40000)
Verification value	0.1/0.2/0.5
	1/2/5
	10/20/50 (Default 10)
	100
Ports	1 channel RS232, 1 channel RS485, 1 channel EtherNet
Baud rate	1200, 2400, 4800, 9600 (Default), 19200, 38400, 57600, 115200
DIO ports	2-channel input (Optocoupler isolation) /4-channel output (relay contacts)
Weight comparator	4-channel
Data storage	Truck license plate number, tare, item number, 100 sets; weighing records 1000 set, cycling updating sequence
Enclosure material	Stainless steel
Mounting style	Wall-mounted via angle-adjusted stand, desk-placed or column sit
Typical applications	Basic weighing, truck scale (weighbridge) etc.