



Main Features:

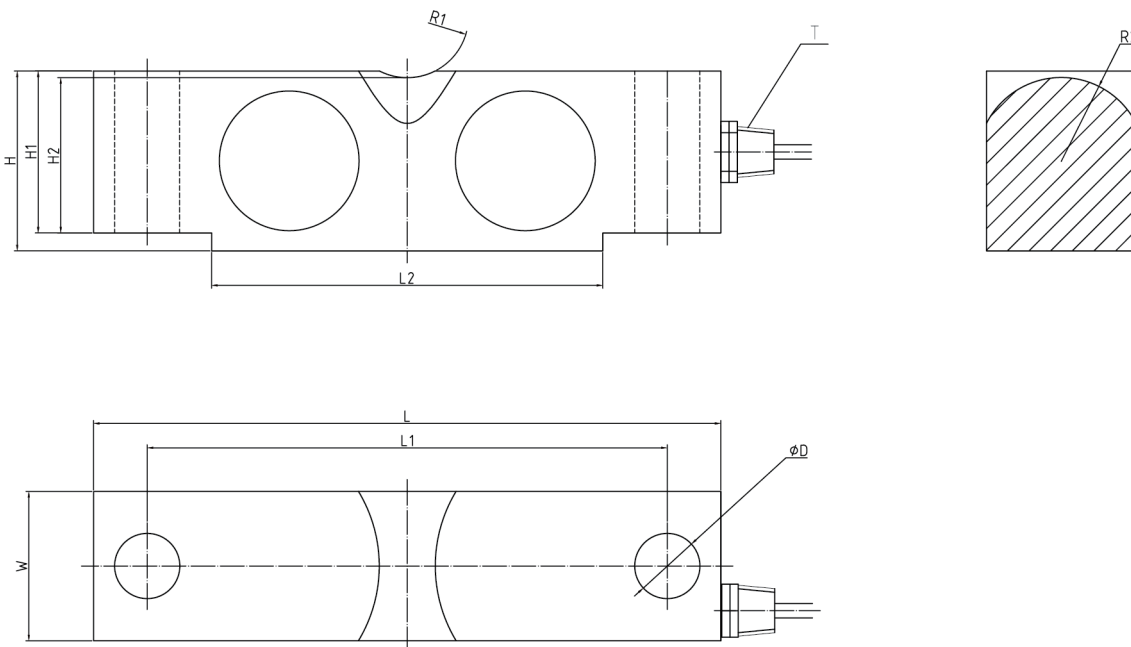
- Material: Alloy steel
- Rated Capacities: 10klb~200klb
- OIML NTEP HB44, CE and RoHS certified
- IP Rating: IP68
- Suitable for truck scale, heavy duty hopper scales and other electronic weighing devices.
- High precision by NTEP III L 10000, high reliability.



Product description:

DB958A is a double ended shear beam, both ends loaded, center supported via self-aligning saddle structure, so that the force can be applied properly. This load cell is suitable for a wide range of truck scales, giant vessel scales and rail scales. It is bolted at both ends. Fully alloy steel construct, hermetically sealed, which ensure high seals performance of waterproof.

Dimensions (mm&inch):



Rated Capacity	L	L1	L2	W	H	H1	H2	φD	R1	R2	T
lb/inches											
10K-25K	7.75	6.50	4.93	1.69	1.94	1.70	1.63	0.68	0.75	0.90	1/4-18NPT
40K	10.25	8.50	6.39	1.94	2.44	2.10	2.00	0.82	1.00	1.12	1/4-18NPT
50K-75K	10.25	8.50	6.39	2.44	2.94	2.65	2.54	1.06	1.00	1.37	1/2-14NPT
100K	15.25	12.75	8.99	2.90	3.86	3.43	3.30	1.62	1.50	1.80	1/2-14NPT
200K	19.25	15.25	11.25	3.80	5.79	5.12	4.44	1.62	2.00	2.37	1/2-14NPT

DB958A Double Beam Load Cell Specifications

Parameter		Units	Specifications				
Model No.			DB958A				
Rated capacity (E _{max})		lbs	10K; 25K; 40K; 50K; 75K; 100K; 200K				
Accuracy class ¹⁾²⁾		% of E _{max}	± 0.02				
Min. dead load		lb	0				
Rated output		mV/V	3.0 ± 0.1%				
Zero balance		% of E _{max}	± 1				
Repeatability error		% of AL ³⁾	< ± 0.05				
Creep; 30 minute		% of AL	< ± 0.02				
Min. dead load output return (DR); 30 min		% of AL	< ± 0.02				
Temp. effect on	Min. dead load output	% of E _{max} /°C	< ± 0.002				
	Rated output ²⁾	% of AL/°C	< ± 0.002				
Temperature range	Compensated	°C(°F)	-10 to +40 [+14 to +104]				
	Operating		-40 to +65 [-40 to +149]				
	Safe storage		-40 to +80 [-40 to +176]				
Excitation voltage	Recommended	V AC/DC	5 ~ 15				
	Maximum		15				
Terminal resistance	Excitation	Ω	766 ± 10				
	Output		700 ± 3				
Insulation resistance @50VDC		MΩ	> 5000				
Breakdown voltage		V AC	> 500				
Seal type / IP rating			Hermetically welded / IP68				
Load limit	Safe	% of E _{max}	150				
	Ultimate		200				
Material	Spring element		Alloy steel nickel plated				
	Cable		Φ6; 4-wire; PVC				
Cable length		ft	10K ... 40K		50K ... 200K		
			40.0		52.5		
Weight; approx		lb	10K-25K	40K	50K-75K	100K-125K	200K
			8	13	19	40	100
Fatigue life		cycles @E _{max}	> 1,000,000				
Deflection at E _{max} ; approx		mm	< 1.5				

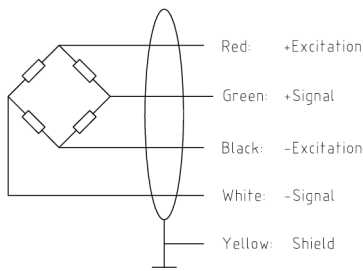
Notes:

¹⁾ Error due to the combined effect of non-linearity and hysteresis

²⁾ The sum of errors due to Temperature Effect on Output comply with the requirements of OIML R60 and NIST HB44

³⁾ AL = Applied Load

Cable Colour Code: (4-wire circuit)



Shield connected to load cell body

Interchangeable Products:

Manufacturer	Model
Vishay Sensortronics	65058A
Vishay Celtron	CLB
Vishay Revere transducers	5303
Rice lake	RL75040