



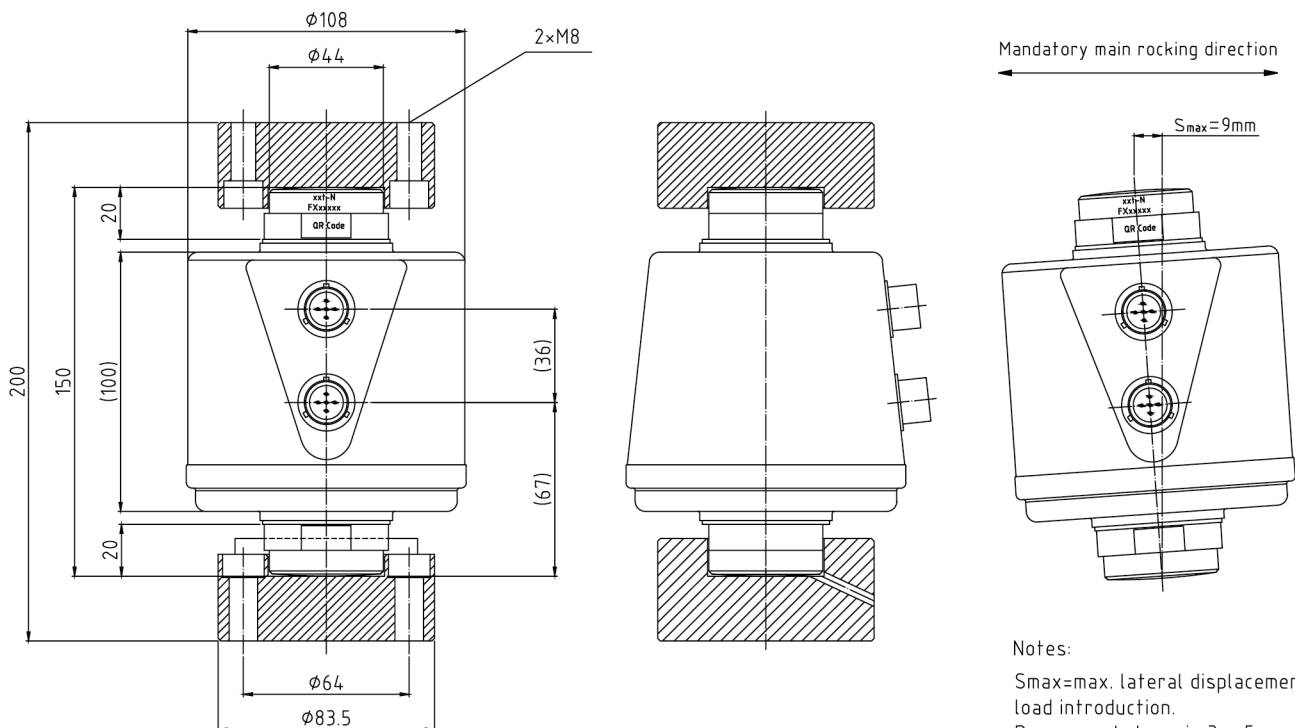
Main Features:

- Material: Stainless steel
- Rated Capacities: 20t-50t
- 2pcs separate pluggable connectors, self-locked assembly, daisy connection without junction box.
- Advanced quick Protocol CANopen
- IP Rating: IP68, IP69K
- Suitable for truck scales, heavy duty hopper scales, force measurement equipment.
- OIML R60, NTEP HB44, CPA, CE and RoHS certified

Product description:

The P580SD is a high-class digital canister compression load cell with double-cut faces against rotation. The P580SD is fully hermetically sealed with stamped integrated canister; which enable it to work in the harshest conditions. A rocker column design ensures optimum weighing accuracy when subjected to off-center and side forces when the scale deck is moving back and forth, meanwhile left and right.

Dimensions (mm&inch):



Notes:

S_{max} =max. lateral displacement of load introduction.
Recommended gap is 3 ... 5mm

DWP P580SD P780SD Load Cell Specifications

Parameter		Units	Specification			
Model No.			P580SD / P780SD			
Load cell type			Column Compression, Didital Weight Processor (DWP)			
Rated capacity (R.C.) ⁴⁾		t	20	30	40	50
Sensitivity at R.C.		d @ R.C.	200,000	300,000	400,000	500,000
Communication			Controller Area Network (CAN), Encrypted			
Communication rate		kbit/sec	125			
Accuracy class			C3	C4	C6	
Min. dead load		kg	50			
Zero balance		% of E _{max}	± 1			
Y-value			10000	12500	20000	
Repeatability error		% of AL ³⁾	< ± 0.010	< ± 0.008	< ± 0.005	
Creep; 30 minute		% of AL	< ± 0.0167	< ± 0.0125	< ± 0.0083	
Min. dead load output return (DR); 30 min		% of AL	< ± 0.0167	< ± 0.0125	< ± 0.0083	
Temp.effect on	Min. dead load output	% of E _{max} /°C	< ± 0.0016	< ± 0.00128	< ± 0.0008	
	Rated output ¹⁾²⁾	% of AL/°C	< ± 0.00133	< ± 0.0010	< ± 0.00066	
Temperature range	Compensated	°C(°F)	-10 to +40 [+14 to +104]			
	Operating		-40 to +65 [-40 to +149]			
	Safe storage		-40 to +80 [-40 to +176]			
Excitation voltage	Recommended	V DC	12 or 24			
	Minimum / Maximum		7.5 / 28			
Lightning protection		A	> 80,000 (GDT)			
Surge protective device			Integral (Varistor+TVS)			
Insulation resistance @50VDC		MΩ	> 5000			
Breakdown voltage		V AC	> 500			
Protection	Type		Hermetically welded (submersible)			
	IP rating		IP68/69K [P780SD: Built-in Helium Sensor]			
Load limit	Safe dynamic load	% of E _{max}	70			
	Safe		200			
	Ultimate		300			
Material	Spring element		Stainless steel [P780SD: 17-4 PH]			
	Enclosure		304 stainless steel, laser welded			
	Anti-Rotation		Integral; Parallel dual-plane			
	Connectors		Quick-Connect with bayonet lock, 5 Pins,Glass-to-Metal seal			
	Strain gauge		PEEK-1000 [P780SD: HBK]			
	Cable construction		Exterior braided armor covered with fireretardant TPU; PVC chemically resistant jacket, 9mm O.D. ; 5 Conductors triple shielded and dual drain wires			
Cable length	cell to cell	m	7 (Typical)			
	Home run	m	20 (Typical)			
	Network		No junction boxes			
Weight; approx		kg	6.0			
Fatigue life		cycles @E _{max}	> 1,000,000			
Deflection at E _{max} ; approx		mm	< 0.4	< 0.5	< 0.6	< 0.7
Barometric pressure effect on Zero Output		Vmin/kPa	< 1.0			

Notes:

¹⁾ Error due to the combined effect of non-linearity and hysteresis

²⁾ The sum of errors due to Temperature Effect on Output comply with the requirements of OIML R60 and NIST HB44

³⁾ AL = Applied Load

⁴⁾ R.C. = Rated Capacity

Interchangeable Products:

Manufacturer	Model
Mettler-Toledo	PDX
Flintec	RC3D