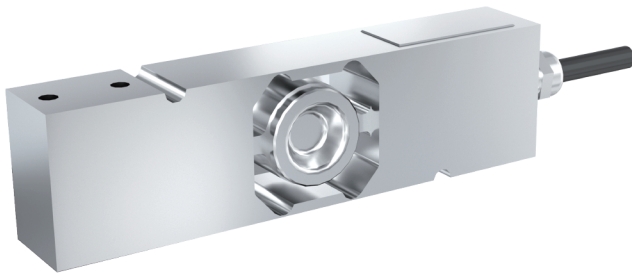


## Main Features:

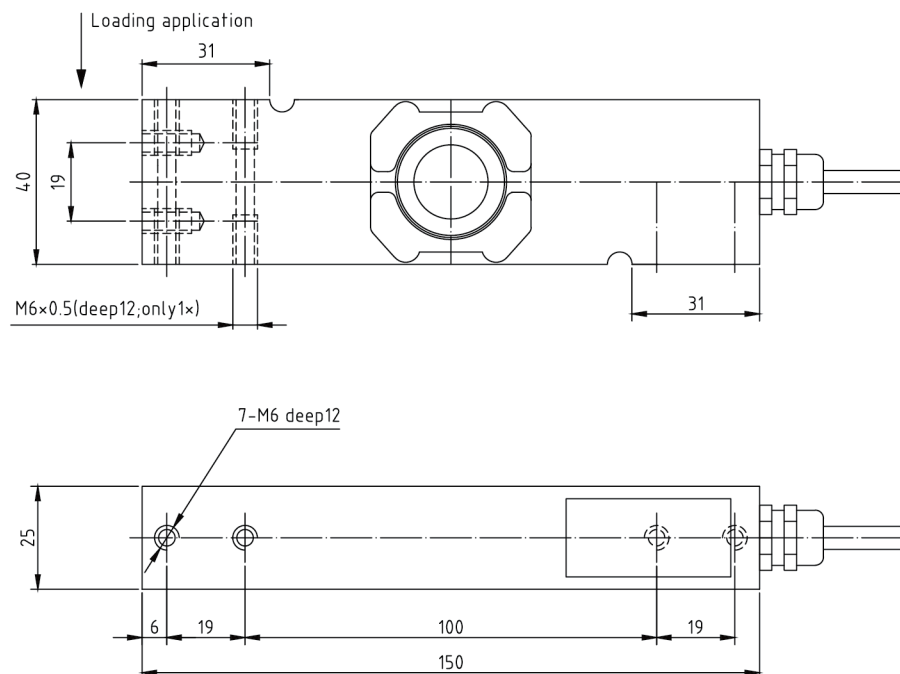


- Material: stainless steel
- Rated Capacities: 11kg-100kg
- OIML R60, NTEP HB44, CPA, CE and RoHS certified
- IP Rating: IP68 / IP69K
- Hermetically sealing, also strain gauge is double-sealed with another special nanoscale coating.
- Suitable for stainless steel waterproof scales, process weighing control in chemical, food and pharmaceutical industries.
- Max platform size: 300\*400mm

## Product description:

SP546S is a typical and standard stainless single point load cell that is high capacity and ideal for a wide range of weighing equipment. Hermetically sealing ensures reliability and durability. The industry standard size and mounting hole configuration makes the SP546S is suitable for new equipment manufacturer or as a replacement for existed weighing equipment.

## Dimensions (mm&inch):



### Cable Colour Code

Green	+Excitation
Black	-Excitation
White	+Signal
Red	-Signal
Yellow	Shield

Shield connected to load cell body

## SP546S Single Point Load Cell Specifications

Parameter		Units	Specifications	
Model No.			SP546S	
Rated capacity (E <sub>max</sub> )		kg	11 / 22 / 60 / 100	
Accuracy class <sup>1)2)</sup>			C3	C5
Min. dead load		kg	0	
Rated output		mV/V	1.8 ± 0.2	
Zero balance		% of E <sub>max</sub>	± 2	
Repeatability error		% of AL <sup>3)</sup>	< ± 0.010	< ± 0.006
Creep; 30 minute		% of AL	< ± 0.017	< ± 0.010
Min. dead load output return (DR); 30 min		% of AL	< ± 0.017	< ± 0.010
Temp. effect on	Min. dead load output	% of E <sub>max</sub> /°C	< ± 0.0020	< ± 0.0014
	Rated output <sup>2)</sup>	% of AL/°C	< ± 0.0012	< ± 0.0007
Temperature range	Compensated	°C(°F)	-10 to +40 [+14 to +104]	
	Operating		-40 to +65 [-40 to +149]	
	Safe storage		-40 to +80 [-40 to +176]	
Excitation voltage	Recommended	V AC/DC	5 ~ 15	
	Maximum		15	
Terminal resistance	Excitation	Ω	384 ± 5	
	Output		350 ± 3	
Insulation resistance @50VDC		MΩ	> 5000	
Breakdown voltage		V AC	> 500	
Seal type / IP rating			Hermetically welded / IP68 IP69k	
Load limit	Safe	% of E <sub>max</sub>	150	
	Ultimate		300	
Material	Spring element		Stainless steel	
	Cable connector		Stainless steel	
	Cable		Φ5.6; 4-wire; PVC	
Cable length		m	3.0	
Maximum platform size		mm	300*400	
Offer center load error (OIML R76)		% of AL/cm	< ± 0.0036	
Weight; approx		kg	1.0	
Fatigue life		cycles @E <sub>max</sub>	> 1,000,000	
Deflection at E <sub>max</sub> ; approx		mm	< 0.5	
Barometric pressure effect on Zero Output		Vmin/kPa	< 1.0	
Mounting screw	Size/Grade		M6 - 8.8	
	Recommended torque	N.m	20.0	

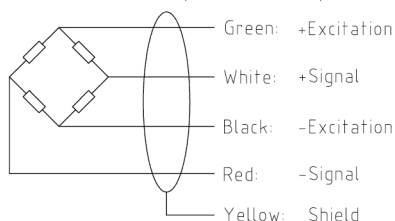
### Notes:

<sup>1)</sup> Error due to the combined effect of non-linearity and hysteresis

<sup>2)</sup> The sum of errors due to Temperature Effect on Output comply with the requirements of OIML R60 and NIST HB44

<sup>3)</sup> AL = Applied Load

Cable Colour Code: (4-wire circuit)



Shield connected to load cell body

### Interchangeable Products:

Manufacturer	Model
Mettler-Toledo	SLP846