

Main Features:

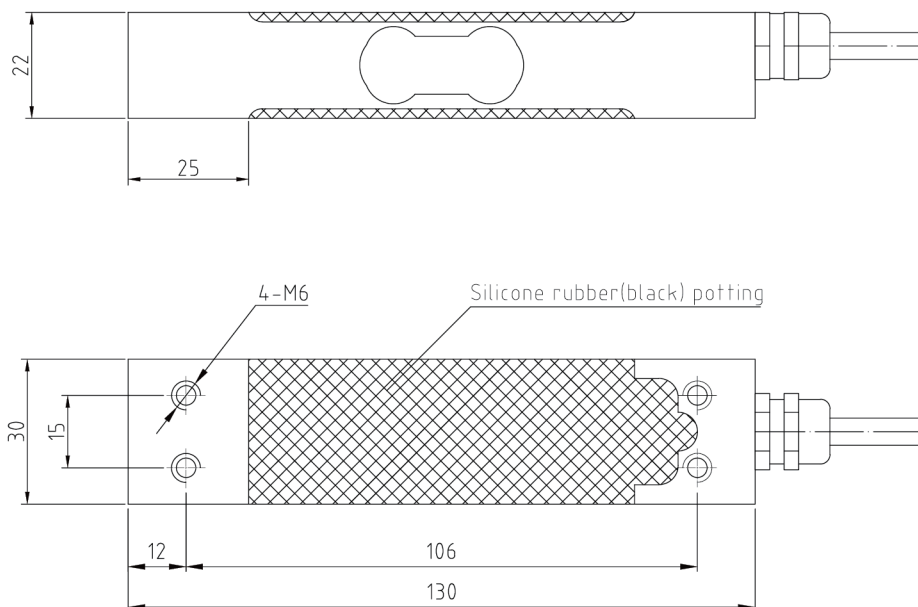


- Material: stainless steel
- Rated Capacities: 10kg~50kg
- OIML R60, NTEP HB44, CPA, CE and RoHS certified
- IP Rating: IP67
- Environmentally sealed by potting special black glue, also strain gauge is double-sealed with another special nanoscale coating.
- Suitable Bench scales, packaging and grading machines, bag filling equipment, bottle filling machinery and other process weighing, etc.
- Max platform size: 300*350mm

Product description:

SP530S is a typical and standard stainless single point load cell that is compact, low capacity and ideal for a wide range of weighing equipment. Environmentally sealed with potting black glue compound to ensure reliability and durability. The industry standard size and mounting hole configuration makes the SP530S is suitable for new equipment manufacturer or as a replacement for existed weighing equipment.

Dimensions (mm&inch):



Cable Colour Code

Green	+Excitation
Black	-Excitation
Red	+Signal
White	-Signal
Yellow	Shield

Shield connected to load cell body

SP530S Single Point Load Cell Specifications

Parameter		Units	Specifications	
Model No.			SP530S	
Rated capacity (E _{max})		kg	10 / 30 / 50	
Accuracy class ¹⁾²⁾			C3	C6
Min. dead load		kg	0	
Rated output		mV/V	2.0 ± 0.2	
Zero balance		% of E _{max}	± 2	
Repeatability error		% of AL ³⁾	< ± 0.010	< ± 0.005
Creep; 30 minute		% of AL	< ± 0.017	< ± 0.0083
Min. dead load output return (DR); 30 min		% of AL	< ± 0.017	< ± 0.0083
Temp. effect on	Min. dead load output	% of E _{max} /°C	< ± 0.0020	< ± 0.0014
	Rated output ²⁾	% of AL/°C	< ± 0.0012	< ± 0.0006
Temperature range	Compensated	°C(°F)	-10 to +40 [+14 to +104]	
	Operating		-40 to +65 [-40 to +149]	
	Safe storage		-40 to +80 [-40 to +176]	
Excitation voltage	Recommended	V AC/DC	5 ~ 15	
	Maximum		15	
Terminal resistance	Excitation	Ω	384 ± 5	
	Output		350 ± 3	
Insulation resistance @50VDC		MΩ	> 5000	
Breakdown voltage		V AC	> 500	
Seal type / IP rating			surface potting black silicon (strain gauge with special coating) / IP67	
Load limit	Safe	% of E _{max}	150	
	Ultimate		300	
Material	Spring element		stainless steel, electropolishing	
	Cable connector		stainless steel, electropolishing	
	Cable		Φ5.6; 4-wire; PVC	
Cable length		m	3.0	
Maximum platform size		mm	300*350	
Offer center load error (OIML R76)		% of AL/cm	< ± 0.0036	
Weight; approx		kg	0.6	
Fatigue life		cycles @E _{max}	> 1,000,000	
Deflection at E _{max} ; approx		mm	< 0.5	
Barometric pressure effect on Zero Output		Vmin/kPa	< 1.0	
Mounting screw	Size/Grade		M6 / 8.8级以上	
	Recommended torque	N.m	15.0	

Notes:

¹⁾ Error due to the combined effect of non-linearity and hysteresis

²⁾ The sum of errors due to Temperature Effect on Output comply with the requirements of OIML R60 and NIST HB44

³⁾ AL = Applied Load

Interchangeable Products:

Manufacturer	Model
Mettler-Toledo	SLP530