



### Main Features:

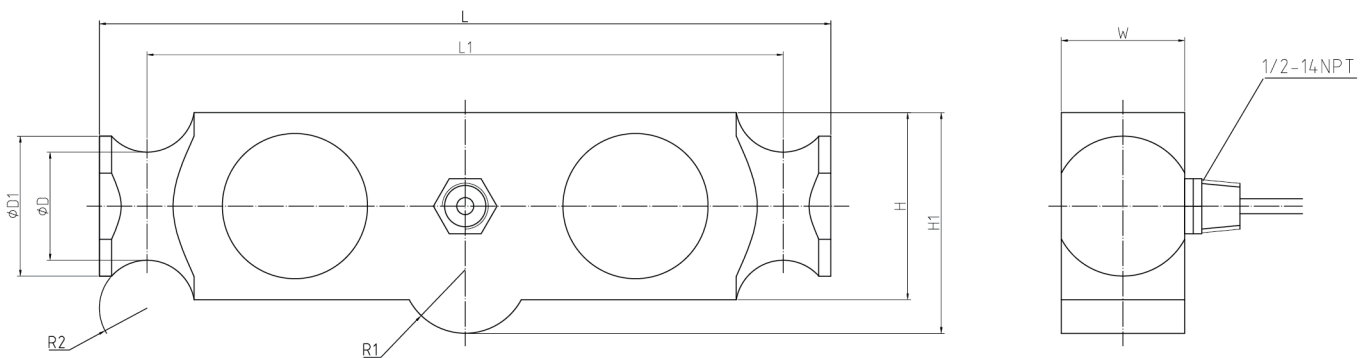
- Material: Alloy steel
- Rated Capacities: 25klb~100klb
- OIML NTEP HB44, CE and RoHS certified
- IP Rating: IP68
- Suitable for truck scale, heavy duty hopper scales and other electronic weighing devices.
- High precision by NTEP III L 10000, high reliability.



### Product description:

DB940A is a double ended shear beam, both ends loaded, center supported via self-aligning semicircular arc convex structure, so that the force can be applied properly. This load cell is suitable for a wide range of truck scales, giant vessel scales and rail scales. It is designed to be lifted via a pair of parallel connected ring at both ends. Fully alloy steel construct, hermetically sealed, which ensure high seals performance of waterproof.

### Dimensions (mm&inch):



Rated Capacity	L	L1	W	H	H1	φD	φD1	R1	R2
lb/inches									
25K-40K	8.25	7.24	1.94	2.44	2.97	1.63	2.00	0.50	0.50
50K-75K	11.50	10.00	1.94	2.94	3.47	1.70	2.20	1.00	0.75
100K	14.50	12.50	2.90	3.86	4.68	2.44	3.20	1.50	1.00

## DB940A Double Beam Load Cell Specifications

Parameter		Units	Specifications		
Model No.			DB940A		
Rated capacity (E <sub>max</sub> )		lbs	25K / 40K / 50K / 75K / 100K		
Accuracy class <sup>1)2)</sup>		% of E <sub>max</sub>	± 0.02		
Min. dead load		lb	0		
Rated output		mV/V	3.0 ± 0.1%		
Zero balance		% of E <sub>max</sub>	± 1		
Repeatability error		% of AL <sup>3)</sup>	< ± 0.05		
Creep; 30 minute		% of AL	< ± 0.02		
Min. dead load output return (DR); 30 min		% of AL	< ± 0.02		
Temp. effect on	Min. dead load output	% of E <sub>max</sub> /°C	< ± 0.002		
	Rated output <sup>2)</sup>	% of AL/°C	< ± 0.002		
Temperature range	Compensated	°C(°F)	-10 to +40 [+14 to +104]		
	Operating		-40 to +65 [-40 to +149]		
	Safe storage		-40 to +80 [-40 to +176]		
Excitation voltage	Recommended	V AC/DC	5 ~ 15		
	Maximum		15		
Terminal resistance	Excitation	Ω	766 ± 10		
	Output		700 ± 3		
Insulation resistance @50VDC		MΩ	> 5000		
Breakdown voltage		V AC	> 500		
Seal type / IP rating			Hermetically welded / IP68		
Load limit	Safe	% of E <sub>max</sub>	150		
	Ultimate		200		
Material	Spring element		Alloy steel nickel plated		
	Cable		Φ6; 4-wire; PVC		
Cable length		ft	52.5		
Weight; approx		lb	25-40K	50-75K	100K
			12.0	18.0	40.0
Fatigue life		cycles @E <sub>max</sub>	> 1,000,000		
Deflection at E <sub>max</sub> ; approx		mm	< 1.5		

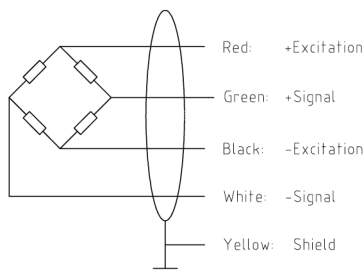
### Notes:

<sup>1)</sup> Error due to the combined effect of non-linearity and hysteresis

<sup>2)</sup> The sum of errors due to Temperature Effect on Output comply with the requirements of OIML R60 and NIST HB44

<sup>3)</sup> AL = Applied Load

Cable Colour Code: (4-wire circuit)



Shield connected to load cell body

### Interchangeable Products:

Manufacturer	Model
Vishay Sensortronics	65040A
Vishay Celtron	DLB
Rice lake	RL75040