



Main Features:

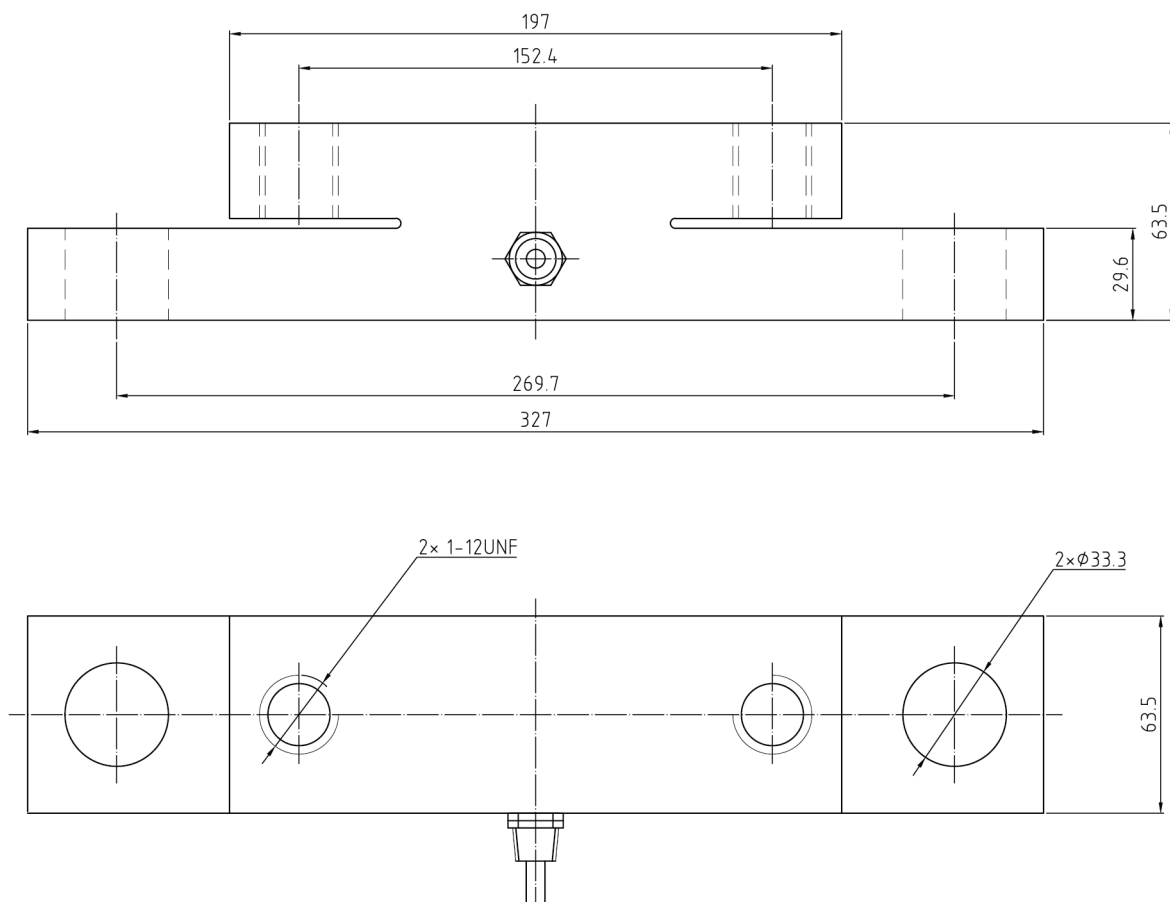
- Material: Alloy steel
- Rated Capacities: 15t
- IP Rating: IP68
- Suitable for onboard vehicle weighing system and other electronic weighing devices
- High precision, high reliability



Product description:

DB520A is a low-profile double ended shear beam load cells, which is designed for industrial vehicles and agricultural trailer high precision weighing system, Some high duty truck's overload controlling is to ensure safe operation. The DB520A provides a very low-profile design which allows for a wide range of installation options for onboard vehicle weighing applications, Generally, the load cells are mounted between truck base chassis and upper frame, the lower profile, the more safer.

Dimensions (mm&inch):



DB520A Double Beam Load Cell Specifications

Parameter	Units	Specifications	
Model No.		DB520A	
Rated capacity (E _{max})	t	15	
Accuracy class ¹⁾²⁾		0.1%	
Min. dead load	kg	0	
Rated output	mV/V	1.125 ± 0.005	
Zero balance	% of E _{max}	± 1	
Repeatability error	% of AL ³⁾	< ± 0.02	
Creep; 30 minute	% of AL	< ± 0.020	
Min. dead load output return (DR); 30 min	% of AL	< ± 0.020	
Temp. effect on	Min. dead load output	% of E _{max} /°C	< ± 0.002
	Rated output ²⁾	% of AL/°C	< ± 0.002
Temperature range	Compensated		-10 to +40 [+14 to +104]
	Operating	°C(°F)	-40 to +65 [-40 to +149]
	Safe storage		-40 to +80 [-40 to +176]
Excitation voltage	Recommended	V AC/DC	5 ~ 15
	Maximum		15
Terminal resistance	Excitation	Ω	384 ± 5
	Output		350 ± 3
Insulation resistance @50VDC	MΩ		> 5000
Breakdown voltage	V AC		> 500
Seal type / IP rating			Hermetically welded / IP68
Load limit	Safe	% of E _{max}	200
	Ultimate		300
Material	Spring element		Alloy steel nickel plated
	Cable		Φ6; 4-wire; PVC
Cable length	m		10.0
Weight; approx	kg		7.0
Fatigue life	cycles @E _{max}		> 1,000,000
Deflection at E _{max} ; approx	mm		< 0.5
Barometric pressure effect on Zero Output	Vmin/kPa		< 1.0

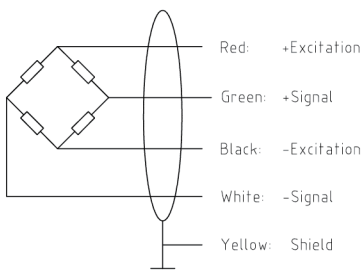
Notes:

¹⁾ Error due to the combined effect of non-linearity and hysteresis

²⁾ The sum of errors due to Temperature Effect on Output comply with the requirements of OIML R60 and NIST HB44

³⁾ AL = Applied Load

Cable Colour Code: (4-wire circuit)



Shield connected to load cell body

Interchangeable Products:

Manufacturer	Model
Flintec	SBT