



### Main Features:

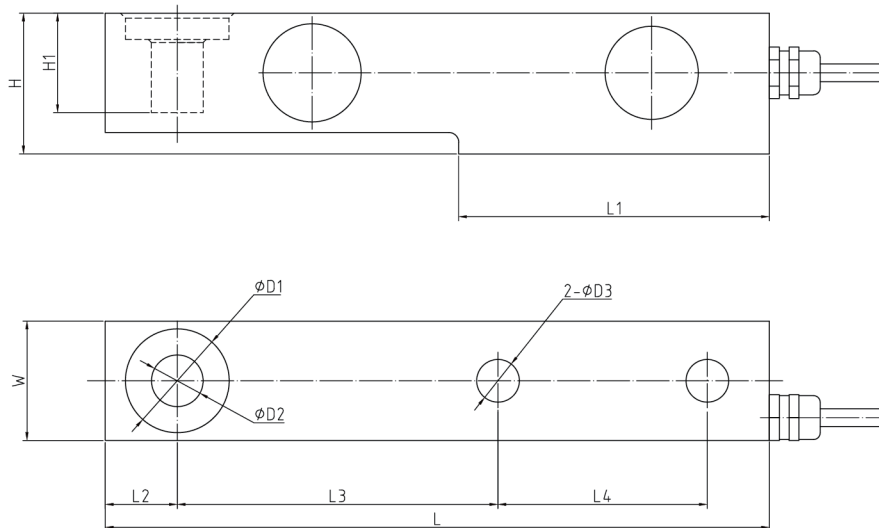
- Material: Alloy steel, stainless steel optional
- Rated Capacities: 1t-10t
- OIML R60, NTEP HB44, CE and RoHS certified
- IP Rating: IP68
- Suitable for high capacity industrial platform scales, hopper scales.
- High precision by OIML R60 C5, high reliability.



### Product description:

The B540 series are heavy duty, high precision and low profile single-ended shear beam, which are available in a wide range of capacities. Full alloy steel stainless steel (optional) construction and complete hermetic sealing ensures reliable accuracy and robustness in harsh industrial applications. The B540 series are the ideal load cell for high precision weighing platforms with bolts by 2pcs through-holes firmly at end, meanwhile the force would be applied from the self-aligning level-pin settled into the blind hole at the other end vertically.

### Dimensions (mm&inch):



Rated Capacity	L	L1	L2	L3	L4	D1	D2	D3	H	H1	W
t/mm											
1t-2t	203	95	22	98	64	31.7	15.8	13	43	30.4	36.5
3t	203	95	22	98	64	31.7	15.8	15	43	30.4	36.5
5t-7.5t	235	110	22	124	66	38.0	22.2	20	52	30.0	47.5
10t	279	133	32	140	82	47.7	32.0	28	67	20.0	60.0

## B540A B540S Single-Ended Beam Load Cell Specifications

Parameter		Units	Specifications			
Model No.			B540A/ B540S			
Rated capacity (E <sub>max</sub> )		t	1; 2	3	5; 7.5	10
Accuracy class <sup>1)2)</sup>			C3		C5	
Min. dead load		kg	0			
Rated output		mV/V	2.0 ± 0.002			
Zero balance		% of E <sub>max</sub>	± 1			
Repeatability error		% of AL <sup>3)</sup>	< ± 0.010		< ± 0.006	
Creep; 30 minute		% of AL	< ± 0.017		< ± 0.010	
Min. dead load output return (DR); 30 min		% of AL	< ± 0.017		< ± 0.010	
Temp. effect on	Min. dead load output	% of E <sub>max</sub> /°C	< ± 0.0020		< ± 0.0014	
	Rated output <sup>2)</sup>	% of AL/°C	< ± 0.0012		< ± 0.0007	
Temperature range	Compensated	°C(°F)	-10 to +40 [+14 to +104]			
	Operating		-40 to +65 [-40 to +149]			
	Safe storage		-40 to +80 [-40 to +176]			
Excitation voltage	Recommended	V AC/DC	5 ~ 15			
	Maximum		15			
Terminal resistance	Excitation	Ω	384 ± 5			
	Output		350 ± 3			
Insulation resistance @50VDC		MΩ	> 5000			
Breakdown voltage		V AC	> 500			
Seal type / IP rating			Hermetically welded / IP68 IP69k			
Load limit	Safe	% of E <sub>max</sub>	150			
	Ultimate		300			
Material	Spring element		Alloy steel / Stainless steel			
	Cable		Φ5.4; 4-wire; PVC			
Cable length		m	5.0			
Weight; approx		kg	0.5~2t	5~7.5t	10t	
			2.2	3.8	8.0	
Fatigue life		cycles @E <sub>max</sub>	> 1,000,000			
Deflection at E <sub>max</sub> ; approx		mm	< 0.5			
Barometric pressure effect on Zero Output		Vmin/kPa	< 1.0			
Mounting screw	Size/Grade		M12 / 8.8	M14 / 8.8	M18 / 8.8	M27 / 8.8
	Recommended torque	N.m	98	120	275	700

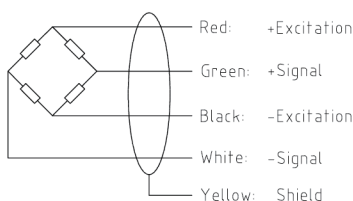
### Notes:

<sup>1)</sup> Error due to the combined effect of non-linearity and hysteresis

<sup>2)</sup> The sum of errors due to Temperature Effect on Output comply with the requirements of OIML R60 and NIST HB44

<sup>3)</sup> AL = Applied Load

Cable Colour Code: (4-wire circuit)



Shield connected to load cell body

### Interchangeable Products:

Manufacturer	Model
Flintec	SB2
Mettler-Toledo	SB