



Main Features:

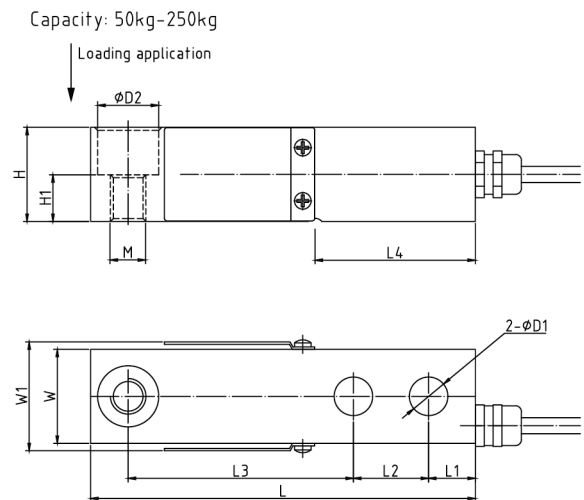
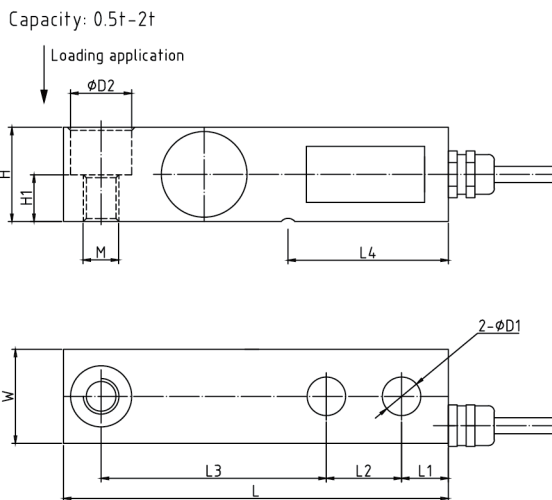
- Material: Alloy steel , stainless steel optional
- Rated Capacities: 500kg~2t
- OIML R60, NTEP HB44, CE and RoHS certified
- IP Rating: IP67, IP68
- Suitable for floor scales, medical bed weighing and other electronic weighing devices.
- High precision by OIML R60 C5, high reliability.



Product description:

The B511 series are atypical and high precision, low-profile single-ended shear beam load cells, which are available in a wide range of capacities. Full alloy steel or stainless steel (optional) construction and complete hermetic sealing ensures reliable accuracy and robustness in harsh industrial applications. The B511 series are the ideal load cells for high precision weighing platforms with bolts by 2 pcs through-holes firmly at end, meanwhile the force would be applied from the self-aligning leveling rob settled in blind-hole vertically.

Dimensions (mm&inch):



Rated Capacity	L	L1	L2	L3	L4	D1	D2	H	H1	W	W1	M
kg/mm												
50-250	130.0	15.8	25.4	76.2	54.2	13.0	20.6	31.8	15.8	31.8	36.8	M12×1.75
500-2,000	130.0	15.8	25.4	76.2	54.2	13.0	20.6	31.8	15.8	31.8	-	M12×1.75

B511 Single-Ended Beam Load Cell Specifications

Parameter		Units	Specifications	
Model No.			B511A / B511S	
Rated capacity (E _{max})		kg/t	50; 100; 250 / 0.5; 1; 2	
Accuracy class ¹²⁾			C3	C5
Min. dead load		lb / kg	0	
Rated output		mV/V	3.0 ± 0.003	
Zero balance		% of E _{max}	± 1	
Repeatability error		% of AL ³⁾	< ± 0.010	< ± 0.006
Creep; 30 minute		% of AL	< ± 0.017	< ± 0.010
Min. dead load output return (DR); 30 min		% of AL	< ± 0.017	< ± 0.010
Temp. effect on	Min. dead load output	% of E _{max} /°C	< ± 0.0020	< ± 0.0014
	Rated output ²⁾	% of AL/°C	< ± 0.0012	< ± 0.0007
Temperature range	Compensated	°C(°F)	-10 to +40 [+14 to +104]	
	Operating		-40 to +65 [-40 to +149]	
	Safe storage		-40 to +80 [-40 to +176]	
Excitation voltage	Recommended	V AC/DC	5 ~ 15	
	Maximum		15	
Terminal resistance	Excitation	Ω	384 ± 5	
	Output		350 ± 3	
Insulation resistance @50VDC		MΩ	> 5000	
Breakdown voltage		V AC	> 500	
Seal type / IP rating			Hermetically welded / IP68	
Load limit	Safe	% of E _{max}	140	
	Ultimate		200	
Material	Spring element		Alloy steel / Stainless steel	
	Cable		Φ5.6; 4-wire; PVC	
Cable length		m	3.0	
Weight; approx		kg	1.0	
Fatigue life		cycles @E _{max}	> 1,000,000	
Deflection at E _{max} ; approx		mm	< 1.0	
Barometric pressure effect on Zero Output		Vmin/kPa	< 1.0	
Mounting screw	Size/Grade		M12 (1/2-20UNF)	
	Recommended torque	N.m(ft-lb)	98(70)	

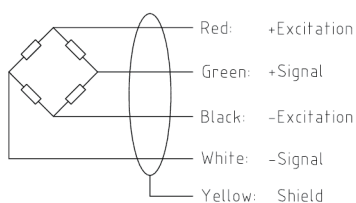
Notes:

¹⁾ Error due to the combined effect of non-linearity and hysteresis

²⁾ The sum of errors due to Temperature Effect on Output comply with the requirements of OIML R60 and NIST HB44

³⁾ AL = Applied Load

Cable Colour Code: (4-wire circuit)



Shield connected to load cell body