

# EM310

## Explosion-proof remote display

EM310 explosion-proof large-size remote display, which is equipped with high-brightness LED monochrome display, can be connected with a variety of communication interfaces for indicators, complete the synchronous display of weighing data in remote hazardous sites.



### Key features



**Optional material**

- A variety of materials can be selected to meet requirements at different sites.

**Large screen display**

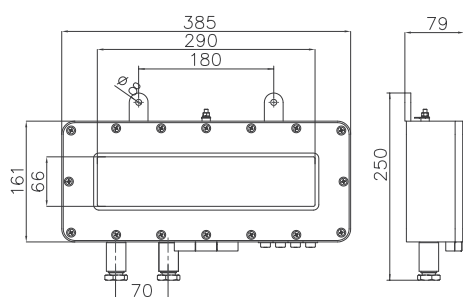
- Built-in character database chip, can display Chinese, English, numbers. High brightness display, suitable for strong light and low light places. Available single-line, double-line display, synchronous display and asynchronous display. Compatible with mainstream weight data formats, such as Mettler Toledo, Yaohua, Keli can be used as the second display of the indicator.



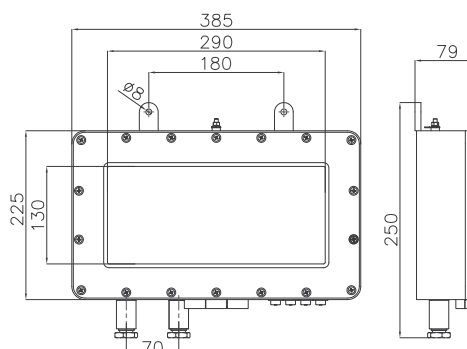
**Abundant communication**

- Support RS232, RS485, LAN

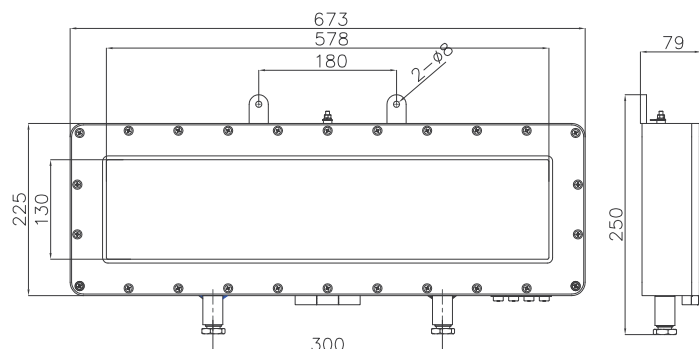
### Dimensions



EM310-0



EM310-1



EM310-2

**Specifications**

Product model	EM310-0	EM310-1	EM310-2
Overall dimensions (mm)	385x161X77	385X225X77	673x225x77
Visual window size (mm)	290x66	290X130	578X130
Window glass size (mm)	310x86x8	310X150x10	598X130x12
Weight (Kg)	9.8	12.5	20
Explosion-proof sign	Ex db IIB T6 Gb; Ex tb IIIC T80°C Db		
Materials	Q235A、304、316L		
Protection degree	IP68 (2m/2h)		
Usage temperature	-40°C ~ 60°C		
Storage temperature	-20°C ~ 40°C		
Power supply mode	24V/220VAC		
Open form	Hinge (optional)		
Button form	Top rod type (optional)		
Outlet specifications	G1/2"、M20X1.5、G3/4"、M25X1.5 Nut holder (optional)		
Number of outlet ports	2		
COM port	USB, RS232, RS485, RJ45		
Display character count	It can display 4 Chinese characters or 9 numeric symbols	It can display 8 Chinese characters or 8 numeric symbols	It can display 18 Chinese characters or 36 numeric symbols