



**Key feature:**

- Material: stainless steel
- Rated Capacities: 300kg-5t
- OIML R60, NTEP HB44, CE and RoHS certified
- IP Rating: IP66, IP68
- Suitable for process weighing of hopper scales, silo scales, tank scales.
- High precision by OIML R60 C3, high reliability.

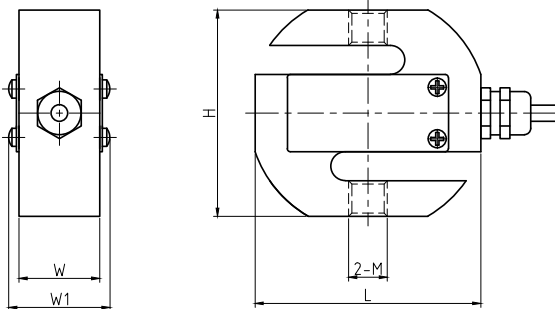


**Product description:**

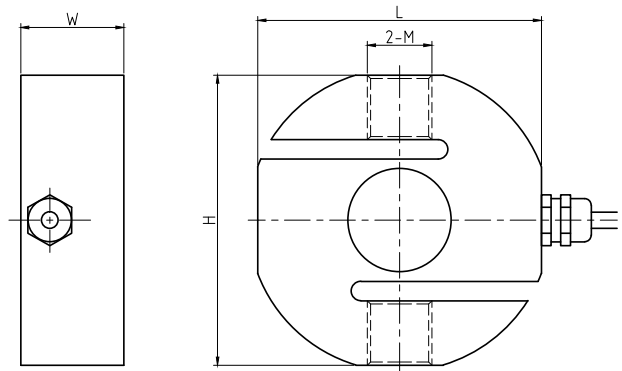
S530S a round-shaped tension & compression load cell, completely hermetically sealed by laser to ensue it can work in harsh environments. Available in a wide range of capacities from 300kg thru to 5t

**Dimensions (in mm& lb):**

Capacity: 300kg-1,000kg



Capacity: 2,000kg-5,000kg



Rated Capacity	L	H	W	W1	M
kg/mm					
300-500	70.0	64.0	20.0	27.0	M12x1.75
1,000	70.0	64.0	25.0	32.0	M12x1.75
2,000-5,000	88.0	90.0	32.0	-	M20x2.5

**Cable Colour Code**

Red	+Excitation
Black	-Excitation
Green	+Signal
White	-Signal
Yellow	Shield

Shield connected to load cell body

## S530S Load Cell Specifications

Parameter	Units	Specification		
Model No.		S530S		
Rated capacity (E <sub>max</sub> )	t	0.3; 0.5; 1; 2; 3; 5		
Min. dead load	kg	0		
Rated output	mV/V	2.0 ± 0.002		
Zero balance	% of E <sub>max</sub>	± 1		
Combined error <sup>1)2)</sup>	% of E <sub>max</sub>	< ± 0.017		
Repeatability error	% of AL <sup>3)</sup>	< ± 0.010		
Creep; 30 minute	% of AL	< ± 0.017		
Min. dead load output return (DR); 30 min	% of AL	< ± 0.017		
Temp. effect on	Min. dead load output	% of E <sub>max</sub> /°C	< ± 0.0023	
	Rated output <sup>2)</sup>	% of AL/°C	< ± 0.0020	
Temperature range	Compensated	°C(°F)	-10 to +40 [+14 to +104]	
	Operating		-30 to +65 [-22 to +149]	
	Safe storage		-40 to +80 [-40 to +176]	
Excitation voltage	Recommended	V AC/DC	5 ~ 15	
	Maximum		15	
Terminal resistance	Excitation	Ω	382 ± 5	
	Output		350 ± 3	
Insulation resistance @50VDC	MΩ	>5000		
Breakdown voltage	V AC	>500		
Seal type / IP rating			Cap. ≤1t: Silicon rubber / IP66	
			Cap. ≥2t: Hermetically welded / IP68	
Load limit	Safe	% of E <sub>max</sub>	150	
	Ultimate		300	
Material	Spring element		Stainless steel	
	Cable		Φ5; 4-wire; PVC	
Cable length	m		3.0	
Weight; approx	kg	≤0.5t	1t	2-5t
		0.7	0.9	2.0
Fatigue life	cycles @E <sub>max</sub>		>1,000,000	
Deflection at E <sub>max</sub> ; approx	mm		<0.5	
Barometric pressure effect on Zero Output	Vmin/kPa		<1.0	

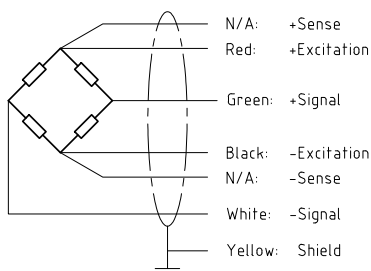
### Notes:

<sup>1)</sup> Error due to the combined effect of non-linearity and hysteresis

<sup>2)</sup> The sum of errors due to Temperature Effect on Output comply with the requirements of OIML R60 and NIST HB44

<sup>3)</sup> AL = Applied Load

Cable Colour Code: 4-wire [Optional: 6-wire]



Shield connected to load cell body