



Key feature:

- Material: Alloy steel
- Rated Capacities: 150kg-1t
- Great long-term stability.
- OIML R60, NTEP HB44, CE and RoHS certified
- IP Rating: IP65
- Suitable for single load cell structural platform scales, packaging scale, process weighing system.
- Max platform size: 1200*1200mm

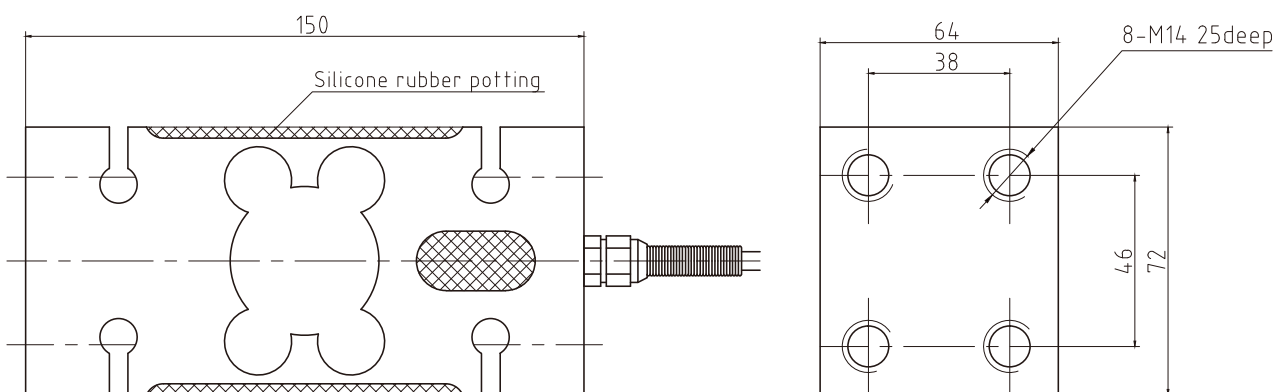


Product description:

SP334A is a typical and standard alloy steel single point load cell that is with large capacity by 1t and ideal for a wide range of weighing equipment. Environmentally sealed with potting compound to ensure reliability and durability. The industry standard size and mounting hole configuration makes the SP334A suitable for large-size platform by 1200*1200mm, or as a replacement for existed weighing equipment.

Besides for common applications of weighing equipment, it also can be used for force measurement on controlling.

Dimensions (in mm& lb):



SP334A Load Cell Specifications

Parameter		Units	Specification
Model No.			SP334A
Rated capacity (E _{max})		kg	150 / 250 / 500 / 1000
Accuracy class			C3
Min. dead load		kg	0
Rated output		mV/V	2.0 ± 0.2
Zero balance		% of E _{max}	< ± 2.0
Combined error ¹⁾²⁾		% of E _{max}	< ± 0.017
Repeatability error		% of AL ³⁾	< ± 0.010
Creep; 30 minute		% of AL	< ± 0.017
Min. dead load output return (DR); 30 min		% of AL	< ± 0.017
Temp. effect on	Min. dead load output	% of E _{max} /°C	< ± 0.0023
	Rated output ²⁾	% of AL/°C	< ± 0.0012
Temperature range	Compensated	°C(°F)	-10 to +40 [+14 to +104]
	Operating		-10 to +50 [+14 to +122]
	Safe storage		-30 to +70 [-22 to +158]
Excitation voltage	Recommended	V AC/DC	5 ~ 15
	Maximum		15
Terminal resistance	Excitation	Ω	382 ± 5
	Output		350 ± 3
Insulation resistance @50VDC		MΩ	>5000
Breakdown voltage		V AC	>500
Protection	Type		Silicone rubber over gage
	IP rating		IP65
Load limit	Safe	% of E _{max}	150
	Ultimate		300
Material	Spring element		Alloy steel; nickel plated
	Cable		Φ6; 4-wire; PVC [Optional: 6-wire]
Cable length		m	3.0
Maximum platform size		mm	800*800
Offer center load error (OIML R76)		% of AL/cm	< ± 0.0016
Fatigue life		cycles @E _{max}	>1,000,000
Deflection at E _{max} ; approx		mm	<0.5
Weight; approx		kg	4.0
Barometric pressure effect on Zero Output		Vmin/kPa	<1.0
Mounting screw	Size/Grade		M14-10.9
	Recommended torque	N.m	98.0

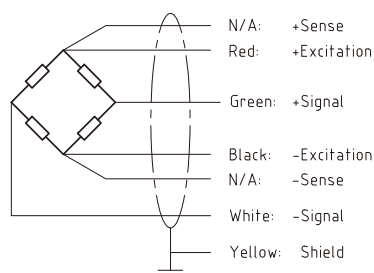
Notes:

¹⁾ Error due to the combined effect of non-linearity and hysteresis

²⁾ The sum of errors due to Temperature Effect on Output comply with the requirements of OIML R60 and NIST HB44

³⁾ AL = Applied Load

Cable Colour Code: 4-wire [Optional: 6-wire]



Shield connected to load cell body

Interchangeable Products:

Manufacturer	Model
Mettler-Toledo	IL